

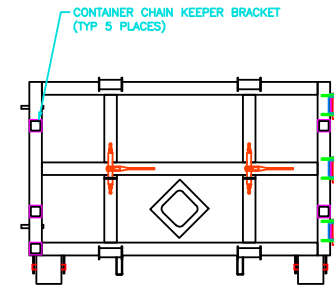
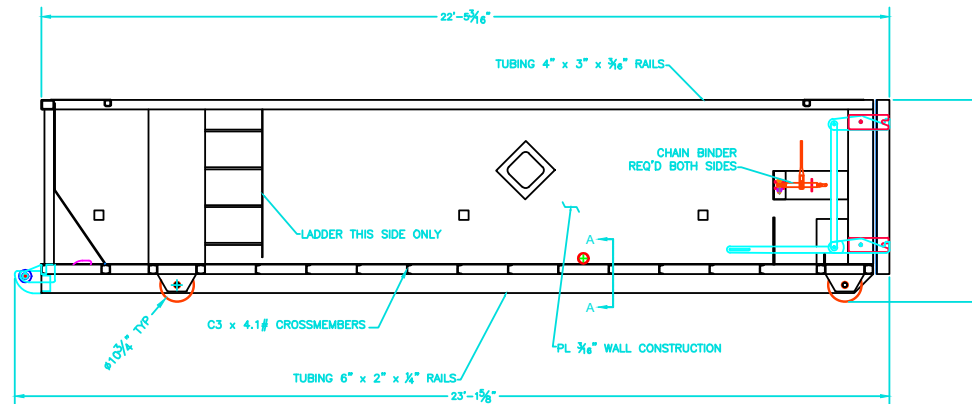
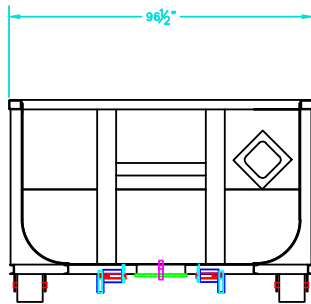
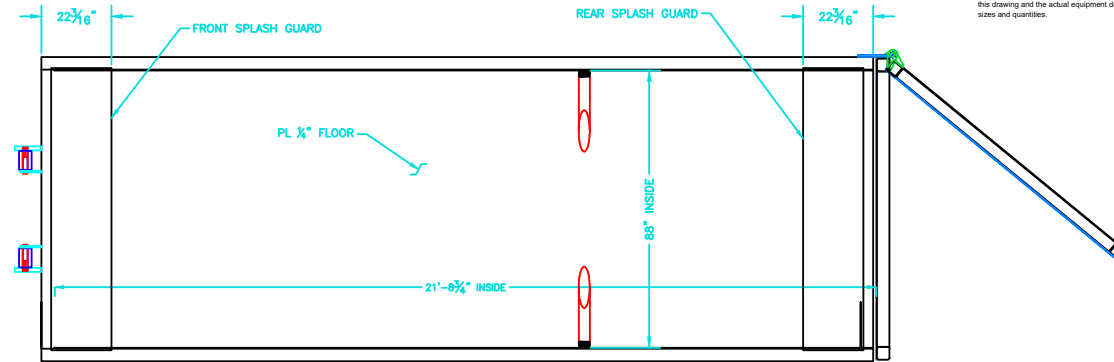
STANDARD SPECIFICATION

CAPACITY: 25 CUBIC YARD
 3/16" A36 PLATE WALLS
 1/4" A36 PLATE FLOOR CONSTRUCTION
 6" X 2" X 1/4" TUBING RAILS
 LINER HOOKS EVERY 24" ALL AROUND
 SPLASH GUARDS ON BOTH ENDS
 WHEELS: 10" STEEL
 DRAINS: 2 - 3" NIPPLE WITH CAP
 BLAST: SSPC-SP-6 (COMMERCIAL BLAST)
 PAINT: DTM POLURETHANE 3.0 TO 4.0 D.F.T.

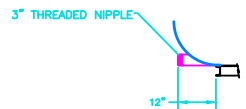
BASKET SPECIFICATION

3" X 4.1# CHANNEL CONSTRUCTION
 6" X 13# FLOOR RAILS - BOLTED TO TANK AT REAR
 FLOOR: PERFORATED METAL 1/4" RD-3/8" STG x 3/16"
 SIDES: EXPANDED METAL FLAT 3/4-9#
 COATING: RED OXIDE PRIMER

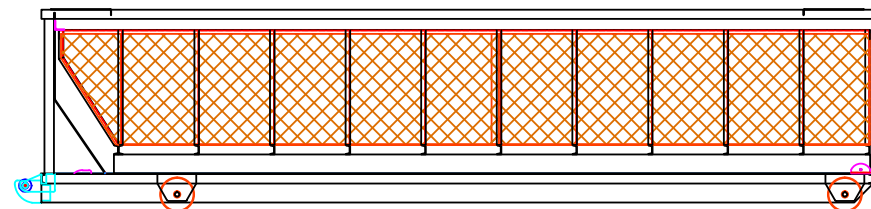
NOTE:
 This drawing is a representation baseline for this model of tank. Variations between
 this drawing and the actual equipment do exist, primarily with appearance locations,
 sizes and quantities.



REAR DOOR VIEW



SECTION VIEW "A-A"
 STREET SIDE SHOWN
 BALL VALVE & STREET ELBOW NOT SHOWN



		512 West Henderson Ave Boaz, Alabama 35957 Telephone 256 840-8031	
NOTES 1. DO NOT SCALE FROM THIS DRAWING 2. DISTRICTAL PREVIOUS REVISIONS 3. ALL DRAWING CHANGES ARE TO BE MADE ON THIS SYSTEM		TECHNICAL ISSUES THIS DRAWING & ALL INFORMATION THEREON IS THE PROPERTY OF PINNACLE MFG, LLC. IT IS CONFIDENTIAL & MUST NOT BE USED IN ANY WAY THAT IS OR BECOMES YOUR INTERESTS.	
DESCRIPTION: S-2252D Dewatering Sludge Container 25 Cu Yd Capacity Pinnacle Standard			
MATERIAL: MATERIAL:		ECN:	
FIRST USED:	DATE: 16-0223	SIZE:	DRAWING NO.: S2252D-1
DRW: FK	REV:	B	REV: