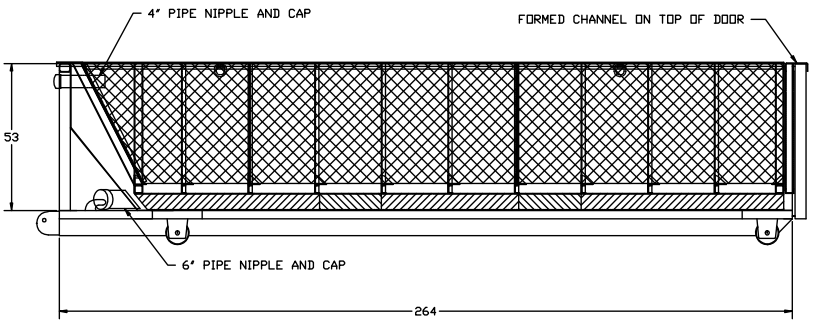
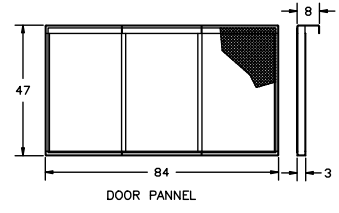
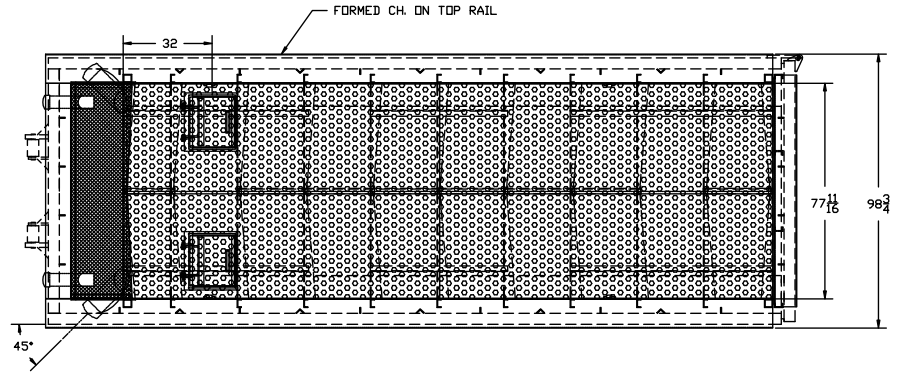
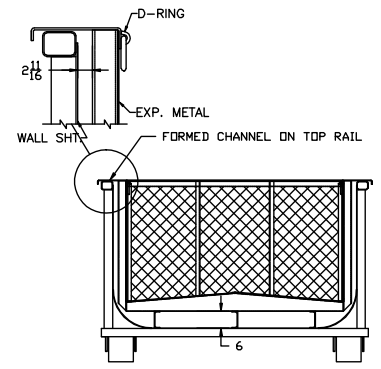


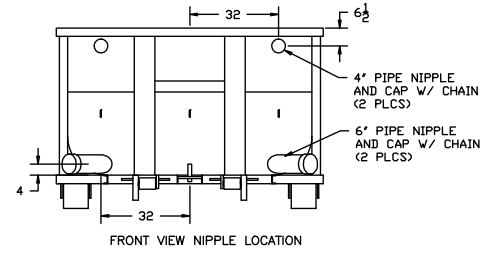
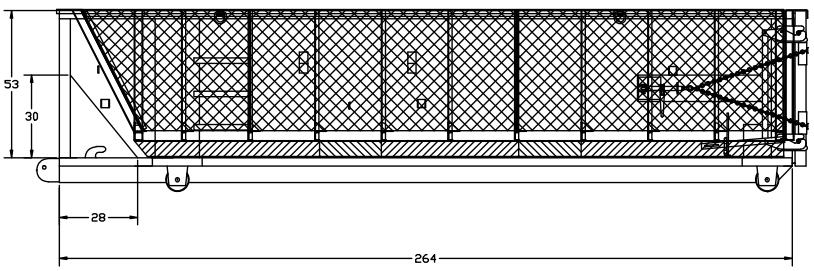
Roll Tarp Dewatering Box



NOTE: SIDE WALL HAS BEEN REMOVED FOR CLARITY.



NOTE: DOOR HAS BEEN REMOVED FOR CLARITY.



PROPERTY OF MODERN MFG., INC. BEAUMONT TEXAS	
SCALE N.T.S.	DWG BY R.C
DATE 1-4-96	REV. LSH
LIQUID TIGHT OPEN TOP SLANT FRONT BASKET	
25 CU. YD.	DWG NO. 0000216B-B