

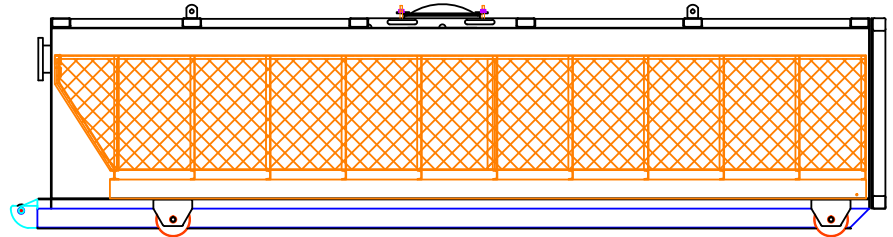
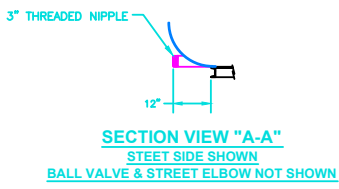
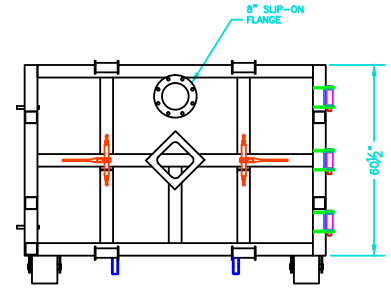
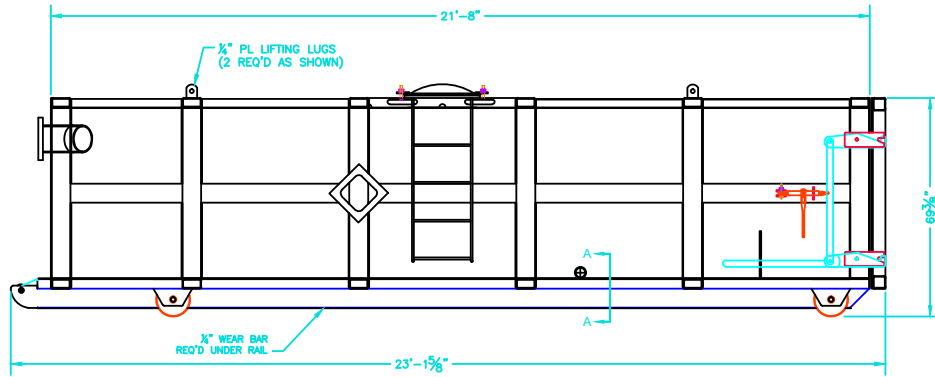
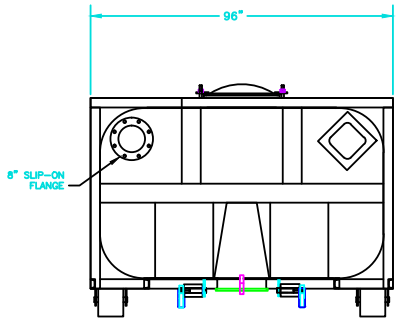
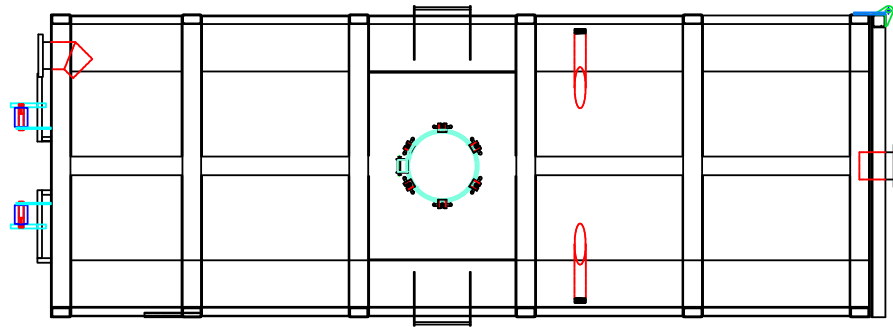
**STANDARD SPECIFICATION**

CAPACITY: .... 25 CUBIC YARD  
 1/4" A36 PLATE HULL CONSTRUCTION  
 3/16" TUBING AND FRAME CONSTRUCTION  
 WHEELS: .... 10" STEEL  
 MANWAYS: .... 1 - 22" DIA. ROOF  
 DRAINS: .... 2 - 3" NIPPLE WITH CAP  
 FLANGED CONNECTIONS: .... 2 - 8"  
 BLAST: .... SSPC-SP-6 (COMMERCIAL BLAST)  
 PAINT: .... DTM POLURETHANE 3.0 TO 4.0 D.F.T.

**BASKET SPECIFICATION**

3" X 4.1# CHANNEL CONSTRUCTION  
 6" X 13# FLOOR RAILS - BOLTED TO TANK AT REAR  
 FLOOR: PERFORATED METAL 1/4" RD-3/8" STG x 3/16"  
 SIDES: EXPANDED METAL FLAT 3/4" - #9  
 COATING: RED OXIDE PRIMER

NOTE:  
 This drawing is a representation baseline for this model of tank. Variations between this drawing and the actual equipment do exist, primarily with appearance locations, sizes and quantities.



<b>PINNACLE MFG</b>		512 West Henderson Ave Bozox, Alabama 35957 Telephone 256 840-8031	
MODEL: 1. DO NOT SCALE FROM 2. DISCONTINUED PREVIOUS REVISIONS 3. ALL DIMENSIONS UNLESS OTHERWISE SPECIFIED ARE TO BE MADE ON THIS SYSTEM	APPROVED: _____ DATE: 16-02-23 BY: FK	THIS DRAWING & ALL INFORMATION THEREON IS THE PROPERTY OF PINNACLE MFG, LLC. IT IS LOANED TO YOUR COMPANY AND MUST NOT BE USED IN ANY WAY THAT IS CONTRARY TO YOUR INTERESTS.	
DESCRIPTION: V-2254D Dewater Vacuum Tank 25 Cu Yd Capacity Pinnacle Standard		PLASM / DWF FILE	
MATERIAL: _____ FIRST USED: _____		ECN: _____	
DRW: FK	DATE: 16-02-23	SIZE: B	DRAWING NO.: _____ REV: _____