

7,140 GALLON (170BBL)

# Double Wall Steel Mini Frac Tank

Mobile Mini Tank + Pump Steel Mini Frac Tank rentals are perfect for smaller sites like refineries and industrial, construction, and manufacturing industries where space is limited. The Steel Mini Frac Tank rentals delivers where a smaller footprint is required. Our Mini Steel Tank serves the same purpose as a standard steel tank, but with approximately half the capacity.



## Dimensions and Weights

Length: 23' 2" (outside), 19' 3" (inside)

Width: 8' 6" (outside), 5/16" (inside)

Height: 8' 7 3/4" (outside), 8' 2" (inside)

Capacity: 7,200 gallons (170bbl)

Tare Weight: 18,000 lbs

## Construction

Floor: 1/4" A36 plate

Walls: 1/4" A36 plate (interior), 3/16" A36 plate (exterior)

X-members: 1/4" A36 plate

Long Sill: 6 x 2 x 1/4" tubing

## Features

Platform: Outside rail construction (36 1/2" inside rails)

Valves: One 4" Drain (front)  
One 4" Drain (rear)  
One 8" P/V Valve (roof)

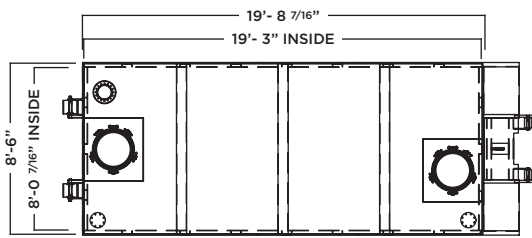
Manways: One 22" and 36"  
Combo manway (curb)  
Two 22" manways (roof)

Blind Flange: Two 4" (roof)

Fork Pockets: 12 x 6

*\*Photos are representational; actual products vary. Additional product plans and specifications may vary from those shown and are subject to in-stock availability.*

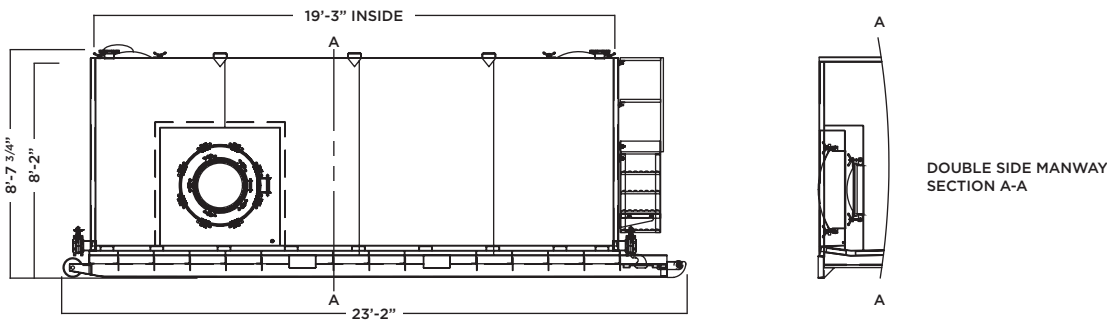
## Double Wall Tank Drawing



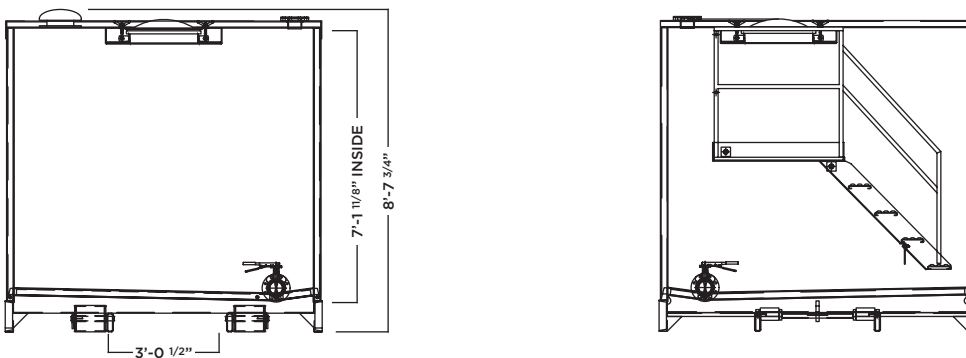
*\*Some details not shown in all views. Overall dimensions are normal.*

*\*Photos are representational; actual products vary. Additional product plans and specifications may vary from those shown and are subject to in-stock availability.*

### Top View



### Side View



### Front View

### Rear View: