

8,400 GALLON (200BBL)

Steel Mini Frac Tank with coils

Mobile Mini Tank + Pump Steel Mini Frac Tank rentals are perfect for smaller sites like refineries and industrial, construction, and manufacturing industries where space is limited. The Steel Mini Frac Tank rentals delivers where a smaller footprint is required. Our Mini Steel Tank serves the same purpose as a standard steel tank, but with approximately half the capacity.



Dimensions and Weights

Length: 23' 2"

Width: 8' 5"

Height: 8' 5 9/16"

Capacity: 8,327 gallons (200bbbl)

Tare Weight: 15,000 lbs

Construction

Floor: 1/4" A36 plate

Walls: 1/4" A36 plate

X-members: 1/4" A36 plate

Long Sill: 6 x 2 x 1/4" tubing

Features

Valves: Two 4" Drain (front)
One 4" Drain (rear)
One 8" P/V Valve (roof)

Manways: 22" Manways in the front, top and curb

Blind Flange: One 4" (rear)

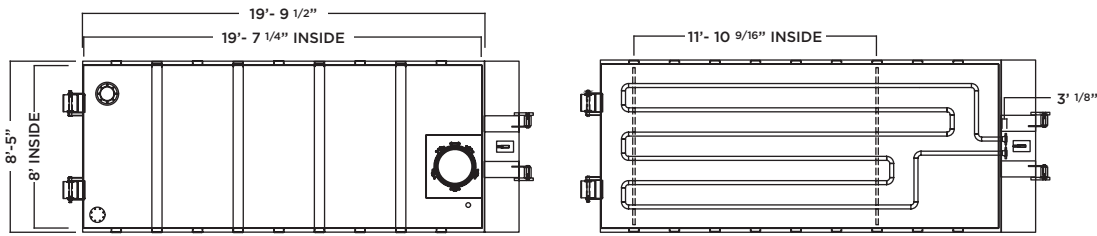
Fill Line: One 3" with nipple and cap (roof/front)

Fork Pockets: 12 x 6

Steam Coils: 2" SCH. 40W/2" 150 lbs flanges (blind)

**Photos are representational; actual products vary. Additional product plans and specifications may vary from those shown and are subject to in-stock availability.*

Tank With Coils Drawing

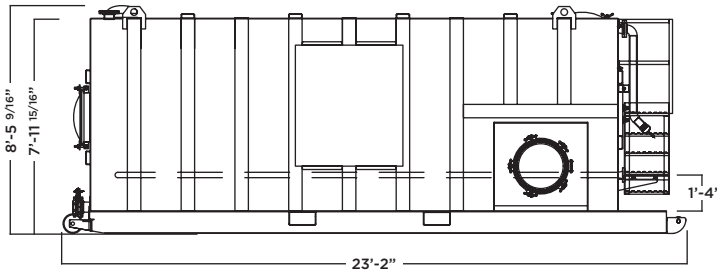


**Some details not shown in all views. Overall dimensions are normal.*

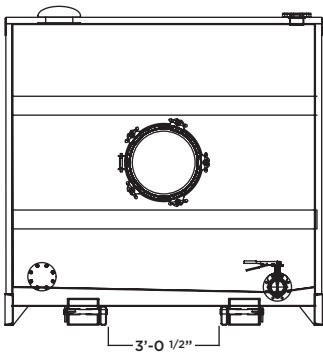
**Photos are representational; actual products vary. Additional product plans and specifications may vary from those shown and are subject to in-stock availability.*

Top View

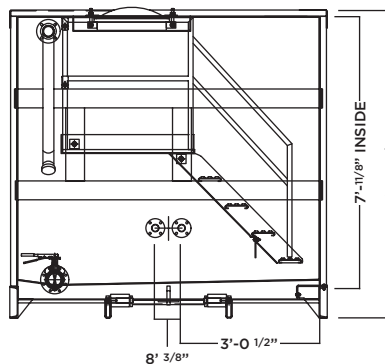
Top View (with coils)



Side View



Front View



Rear View: