

8,400 GALLON (200BBL)

Steel Mini Frac Tank with Weir

Steel weir tanks are perfect for any application that requires a reduction in turbidity through the use of settling and decanting. When you need primary settling of suspended solids in liquid streams prior to filtration or discharge, Mobile Mini Tank and Pump Solutions has you covered.



Dimensions and Weights

Length: 23' 2"

Width: 8' 5"

Height: 8' 9 3/16"

Capacity: 8,327 gallons (200bbl)

Tare Weight: 15,000 lbs

Axle: 77.5" track, 22,500 lbs capacity

Construction

Floor: 1/4" A36 plate

Walls: 1/4" A36 plate

X-members: 1/4" A36 plate

Long Sill: 6 x 2 x 1/4" tubing

Side Stakes: 3/16" A36 plate formed

Features

Weir: One over weir, One under weir

Valves: One 4" Drain (front)
One 4" Drain (rear)

Manways: One 22" (front)
One 22" (curb)

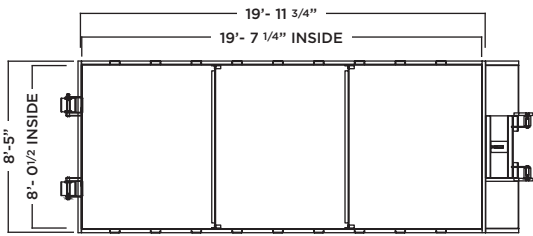
Blind Flange: Two 4" (rear)

Fill Line: One 3" with nipple and cap (roof/front)

Fork Pockets: 12 x 6

**Photos are representational; actual products vary. Additional product plans and specifications may vary from those shown and are subject to in-stock availability.*

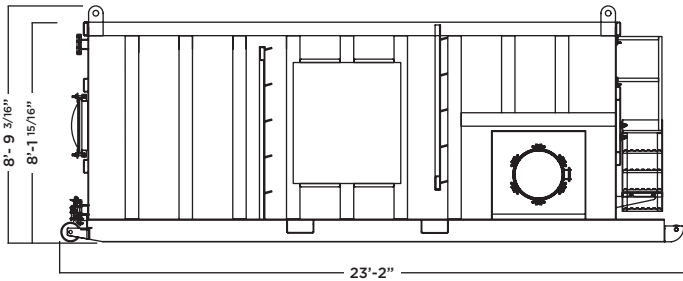
Tank With Weir Drawing



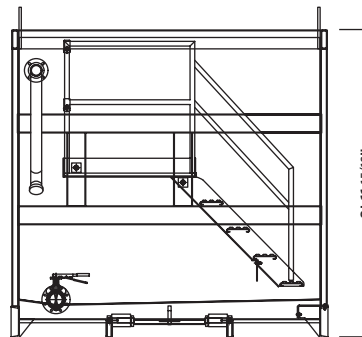
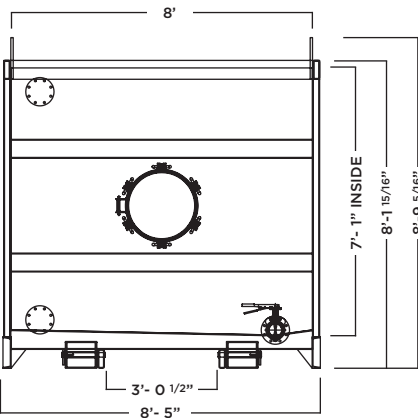
**Some details not shown in all views. Overall dimensions are normal.*

**Photos are representational; actual products vary. Additional product plans and specifications may vary from those shown and are subject to in-stock availability.*

Top View



Side View



Front View

Rear View: