

## 25 YARD Dewatering Metal Lid Roll Off Box

Metal Lid Box rentals from Mobile Mini Tank + Pump Solutions can be utilized for a variety of containment applications. When it's necessary to maintain the homogeneity of the contents and you need simple, leak-proof transportation, we've got you covered. Our rolling metal lids are here to protect the contents of your box from the elements.



### Dimensions and Weights

Length: 23' 1 5/8"

Width: 8' 1/2"

Height: 5' 4 1/8"

Capacity: 25 cubic yard  
(5,049 gallons)

Tare Weight: 12,100 lbs

### Construction

Floor: 1/4" A36 plate

Walls: 3/16" A36 plate

Long Sill: 6 x 2 x 1/4" tubing

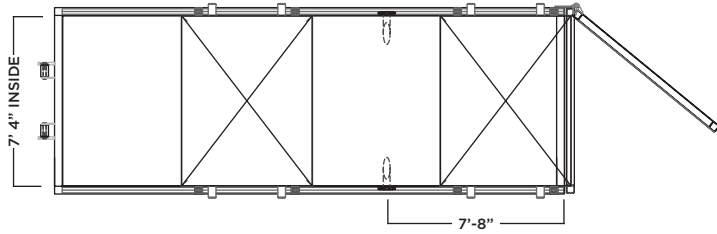
### Features

Drain: Two 4" flanged drain  
(curb and street)

Wheels: 10" steel

*\*Photos are representational; actual products vary. Additional product plans and specifications may vary from those shown and are subject to in-stock availability.*

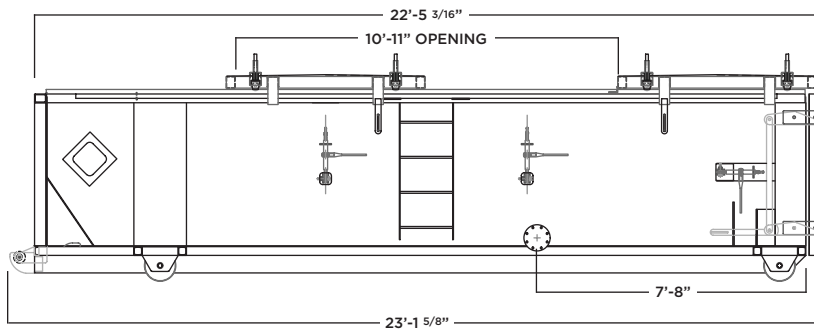
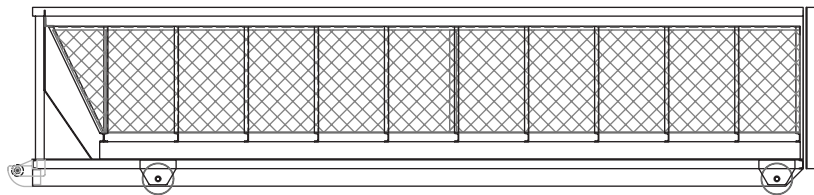
# Dewatering Metal Lid Box Drawing



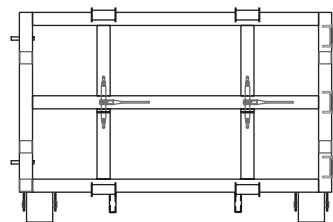
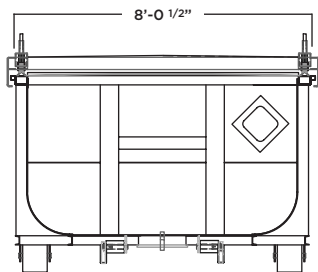
*\*Some details not shown in all views. Overall dimensions are normal.*

*\*Photos are representational; actual products vary. Additional product plans and specifications may vary from those shown and are subject to in-stock availability.*

## Top View



## Side View



## Front View

## Rear View: