

25 YARD Metal Lid Roll Off Box

Metal Lid Box rentals from Mobile Mini Tank + Pump Solutions can be utilized for a variety of containment applications. When it's necessary to maintain the homogeneity of the contents and you need simple, leak-proof transportation, we've got you covered. Our rolling metal lids are here to protect the contents of your box from the elements.



Dimensions and Weights

Length: 23' 1 5/8"

Width: 8' 1/2"

Height: 5' 4 1/8"

Capacity: 25 cubic yard
(5,049 gallons)

Tare Weight: 9,100 lbs

Construction

Floor: 1/4" A36 plate

Walls: 3/16" A36 plate

Long Sill: 6 x 2 x 1/4" tubing

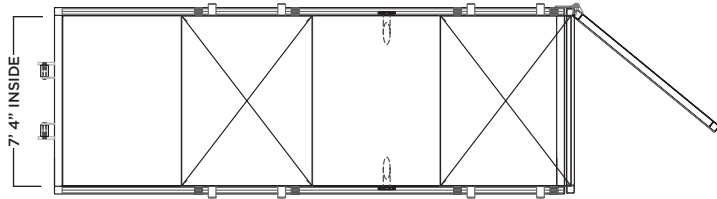
Features

Drain: Two 4" flanged drain
(curb and street)

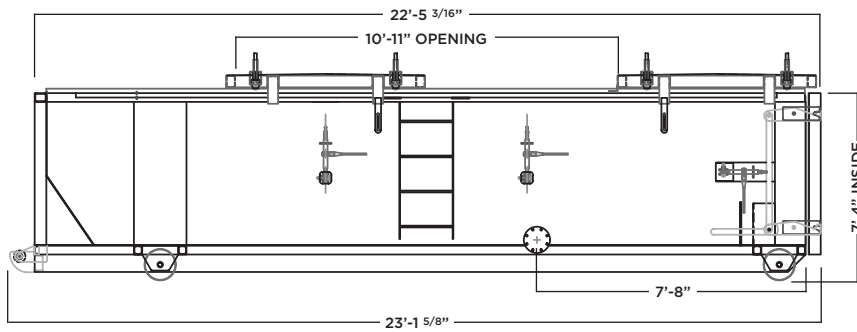
Wheels: 10" steel

**Photos are representational; actual products vary. Additional product plans and specifications may vary from those shown and are subject to in-stock availability.*

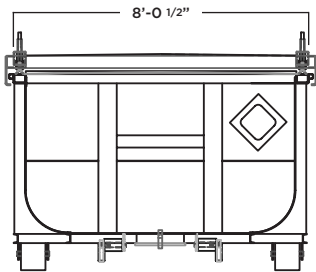
Metal Lid Box Drawing



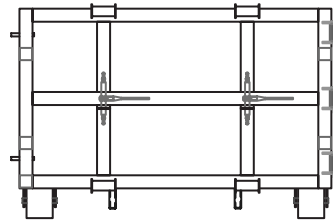
Top View



Side View



Front View



Rear View:

**Some details not shown in all views. Overall dimensions are normal.*

**Photos are representational; actual products vary. Additional product plans and specifications may vary from those shown and are subject to in-stock availability.*