

25 YARD Roll Tarp Roll Off Box

Easily protect materials from the elements with our trusted roll-tarp box rentals. When you need to maintain the homogeneity of the contents and need simple, leak-proof transportation, our Roll-Off Containers and Roll-Tarp Box rentals are perfect for a variety of temporary containment applications.



Dimensions and Weights

Length: 23' 1 5/8"

Width: 8' 1/2"

Height: 5' 4 1/8"

Capacity: 25 cubic yard
(5,049 gallons)

Tare Weight: 6,950 lbs

Construction

Floor: 1/4" A36 plate

Walls: 3/16" A36 plate

Long Sill: 6 x 2 x 1/4" tubing

Features

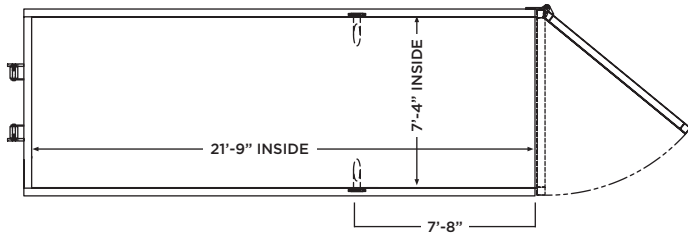
Drain: Two 4" flanged drain
(curb and street)

Liner hooks: 24" all around

Wheels: 10" steel

**Photos are representational; actual products vary. Additional product plans and specifications may vary from those shown and are subject to in-stock availability.*

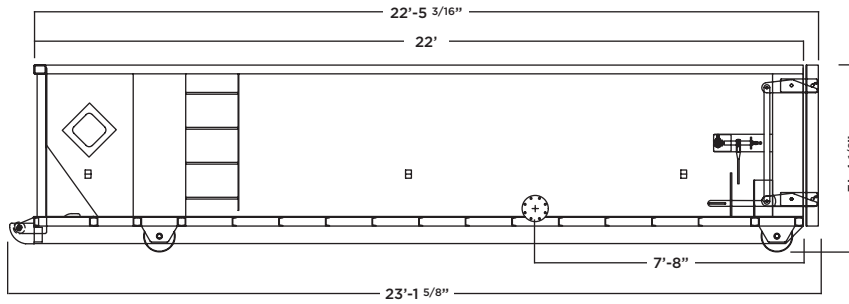
Roll Tarp Box Drawing



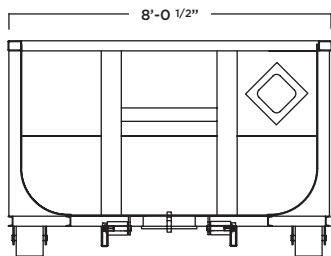
**Some details not shown in all views. Overall dimensions are normal.*

**Photos are representational; actual products vary. Additional product plans and specifications may vary from those shown and are subject to in-stock availability.*

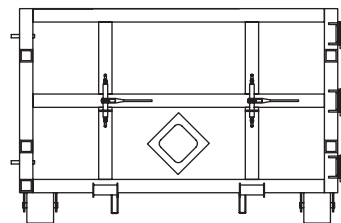
Top View



Side View



Front View



Rear View: