

## 30 YARD Dewatering Roll Off Box

Dewatering Box rentals from Mobile Mini Tank + Pump Solutions are passive-gravity dewatering containers available in all three of the roll-off box configurations: Roll-tarp, Metal-Lid and Vacuum. Each roll-off box is equipped with a steel-frame screen-insert which creates a French drain system within the individual containers interior. Dewatering boxes are available to separate liquid from sludge and slurry and to simplify waste disposal.



### Dimensions and Weights

Length: 23' 1 5/8"

Width: 8' 1/2"

Height: 6' 4 1/8"

Capacity: 30 cubic yard  
(6,048 gallons)

Tare Weight: 10,050 lbs

### Construction

Floor: 1/4" A36 plate

Walls: 3/16" A36 plate

Long Sill: 6 x 2 x 1/4" tubing

### Features

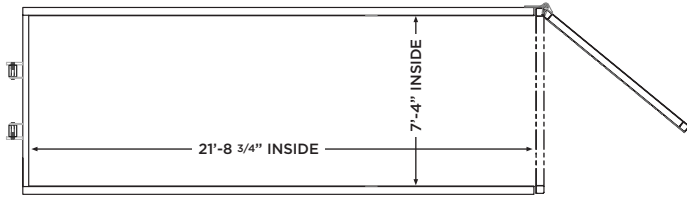
Drain: Two 4" flanged drain  
(curb and street)

Liner hooks: 24" all around

Wheels: 10" steel

*\*Photos are representational; actual products vary. Additional product plans and specifications may vary from those shown and are subject to in-stock availability.*

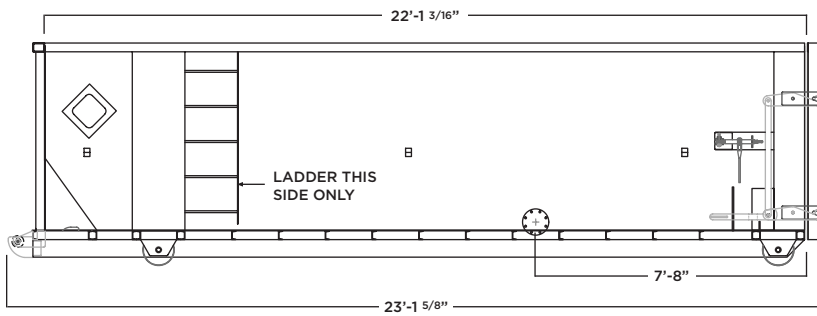
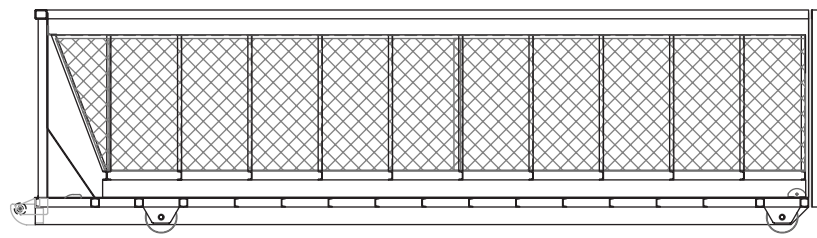
# Dewatering Box Drawing



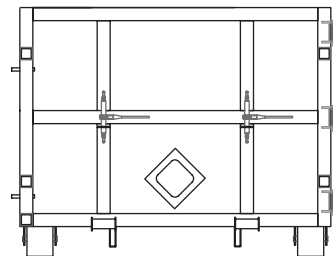
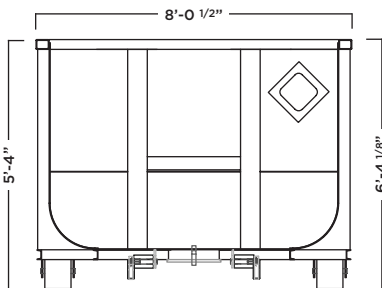
*\*Some details not shown in all views. Overall dimensions are normal.*

*\*Photos are representational; actual products vary. Additional product plans and specifications may vary from those shown and are subject to in-stock availability.*

Top View



Side View



Front View

Rear View: