

17,640 GALLON (420BBL)

## Steel Mix Tank with coils

Mobile Mini Tank + Pump Solutions Mix Tanks provide thorough mixing, agitation, and circulation of stored liquids with other products in a steel mix tank. Each mixer is controlled separately to meet your project's specific mix needs.



### Dimensions and Weights

Length: 47' 1 3/16"

Width: 8' 6"

Height: 9' 8 7/16" (12' 5 1/2" with handrails extended)

Capacity: 17,630 gallons (420bbbl)

Tare Weight: 32,000 lbs

Axle: 77.5" track, 22,500 lbs capacity

### Construction

Floor: 1/4" A36 plate

Floor Rails: 12" x 20.7# Channel

Walls: 1/4" A36 plate

X-members: 1/4" A36 plate

Side Stakes: 3/16" A36 plate formed

### Agitator

Motors: Four WEG 10hp Expl. Proof, 1800 rpm, C-faced

Specification: Hollow bore gearbox. 72 rpm output mixer

Blades: 2 3/8" OD blade diameter

Power Requirements: 3 phase 480V, 60 Hz

Fluids Maximum: 20# / gal

Agitator blades: up to 42"

### Features

Coil: One 2" SCH 40 pipe coil assembly

Valves: One 4" drain with handle (rear)  
One 4" drain (front)  
One 8" P/V valve (roof)

Manways: One 36" (roof)  
One 22" (front)  
One 22" (curb)

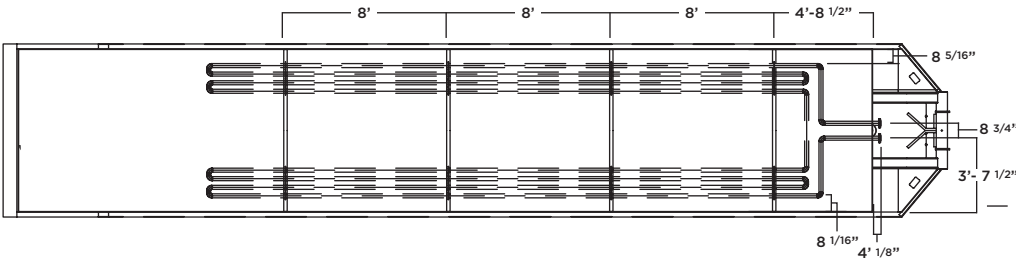
Stairs: 22" front stairs with folding handrails

Blind Flange: Two 4" (roof)

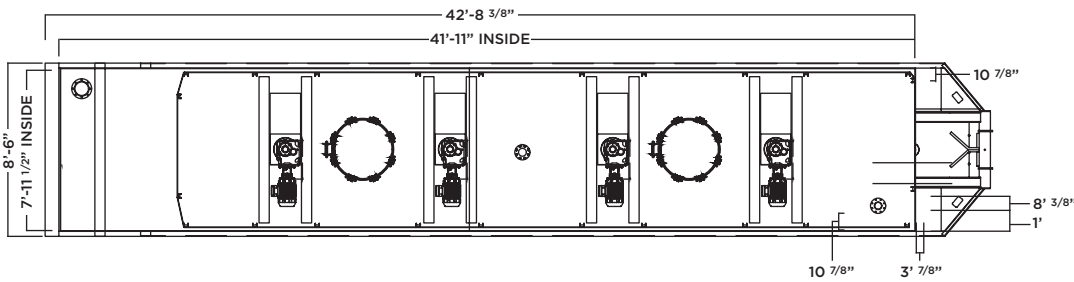
Fill Line: One 3" with nipple and cap (rear)

*\*Photos are representational; actual products vary. Additional product plans and specifications may vary from those shown and are subject to in-stock availability.*

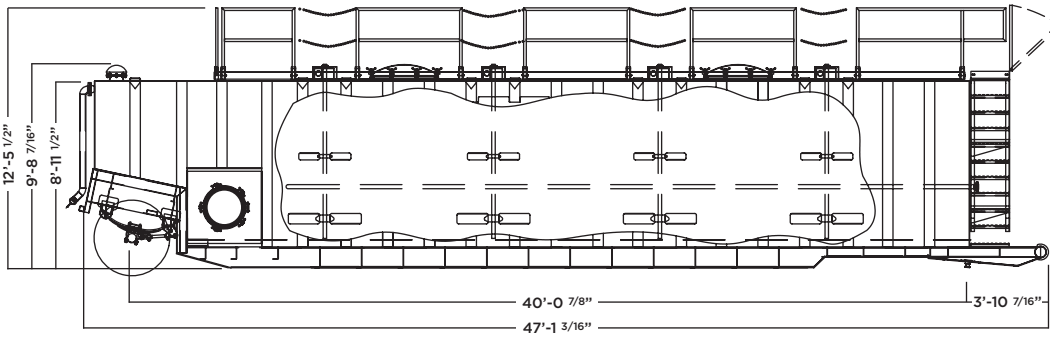
# Tank With Coils Drawing



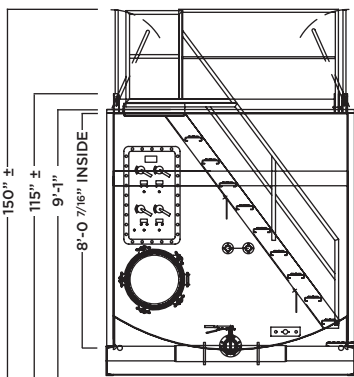
Top View (with coils)



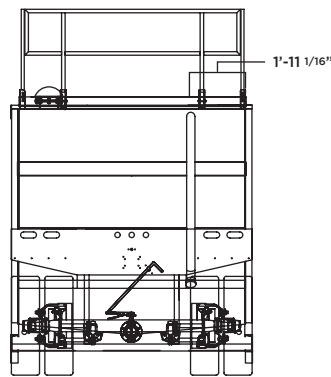
Top View



Side View



Front View



Rear View:

*\*Some details not shown in all views. Overall dimensions are normal.*

*\*Photos are representational; actual products vary. Additional product plans and specifications may vary from those shown and are subject to in-stock availability.*