

21,000 GALLON (500BBL)

Steel Frac Tank (Round Bottom)

Mobile Mini Tank + Pump Frac Tank rentals are the perfect solution for temporary water and other liquid storage for industrial applications. The steel construction and heavy-gauge design ensure that your liquids will be securely contained on your site. Our selection of accessories can make this large tank extremely versatile to fit your specific project needs.



Dimensions

Length: 566"

Width: 102"

Height: 133"

Capacity: 21,000 gallons
(500bbbl)

Axle: 22,500 to 25,000
axle, depending on options

Construction

Floor: ¼ steel plate, 4" round bottom with integral formed side channels

Walls: ¼ PL solid welded, smooth inside, with formed channel supports outside

Coating: Steel grit blast, 100% solids epoxy chemical resistant interior lining @ 20mil DFT, exterior coated with high solids rust inhibiting polyurethane @ 5 mil DFT. Ask for chemical compatibility.

Features

Drain/Fill: 4" drain at floor each end with valve, 3" fill elbow at roof, 4" flange with valve on front - flanged on inside, 4" flange with blind cover plate on roof, 2" coupling with plug on roof, 4" coupling with plug on roof, PV vent on roof

Manway: 21" manway on front, side, rear and roof

Access: Front ladder and stairway with 36" grating walkway to roof manway, stationary and fold down handrail system (optional).

Optional Accessories

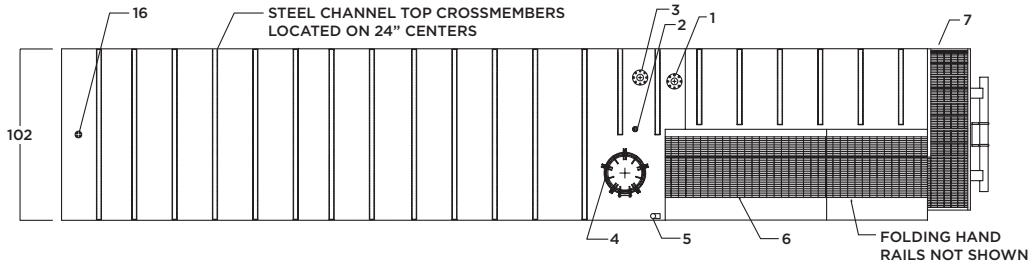
Venting: Flange mount Blaylock LL10 P/V vent 16oz pressure, 0.40Z Vac setting

Level Gauge: Ball float level gauge (8" stainless steel ball "Y" support holds ball 1" minimum off floor)

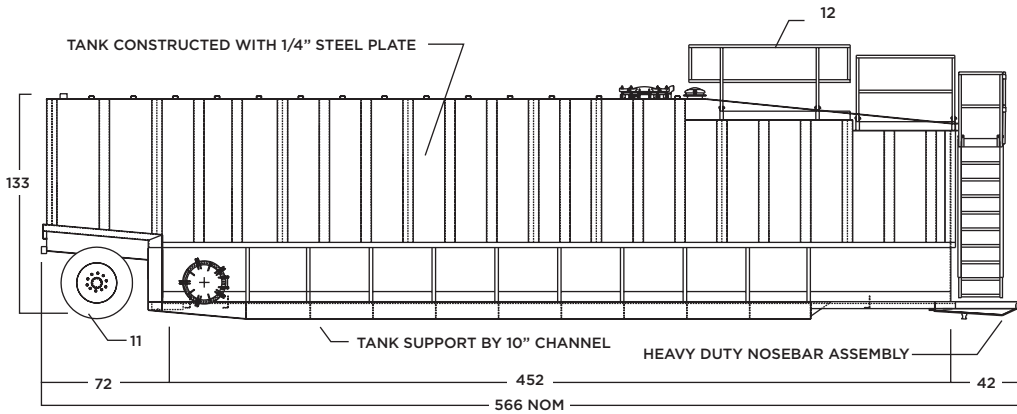
Heat: Four runs of steam coils 20" off ground level, spread of 50.5" apart. 2" SCH 40 piping

**Photos are representational; actual products vary. Additional product plans and specifications may vary from those shown and are subject to in-stock availability.*

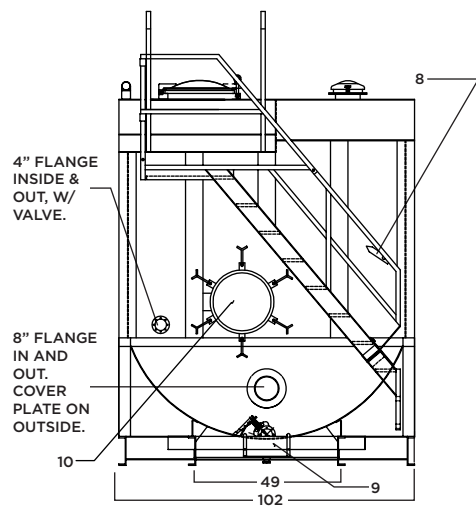
Round Bottom Step Tank Drawing



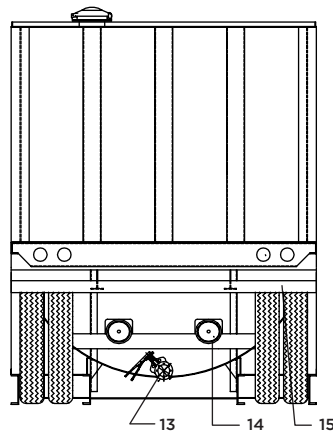
Top View



Side View



Front View



Rear View:

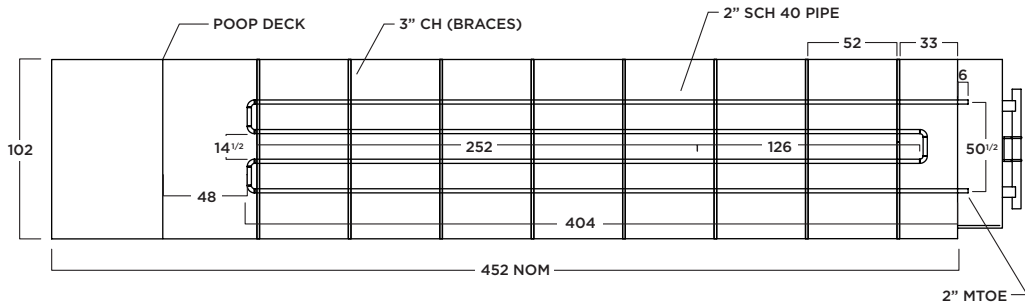
Reference

- 1 Flange mount blaylock LL10 p/v vent 16oz pressure, 0.40z vac setting
- 2 2" coupling w/plug
- 3 4" flange w/blind cover
- 4 21" manyway domed lid and bars
- 5 3" elbow fill line w/cap
- 6 Safety walk way (36" grating)
- 7 Access stairs
- 8 Level gauge w/8" stainless steel ball "Y" support holds ball 1" minimum off floor
- 9 Front drain w/valve, plug, chain
- 10 21" manway, domed lid (2)
- 11 11.00 x 22.5 tubless tire on 10 hole steel wheel
- 12 Folding hand rails
- 13 4" flange, valve, threaded flange, plug, chain remote operation handle
- 14 25k axle, automatic slack adjusters, top mounted 30 service chambers, outboard drums, hutch 9700 suspension, 3 leaf high arch springs
- 15 DOT tail lights and lower marker lights, no top lights
- 16 4" coupling w/plug

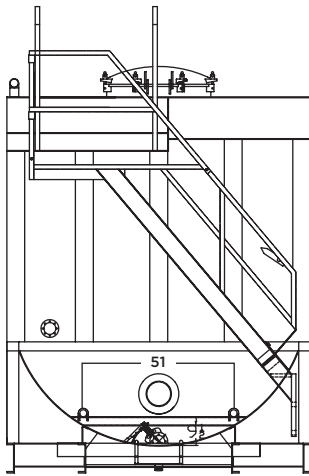
**Some details not shown in all views. Overall dimensions are normal.*

**Photos are representational; actual products vary. Additional product plans and specifications may vary from those shown and are subject to in-stock availability.*

Round Bottom Heated Coil Tank Drawing



Top View



Front View

Note

Four runs of steam coils are required in tank

Estimated 34' from front of tank to rear of tank clearing about 4' from poop deck to clear passenger side manway

2-2" male threaded nipples are extending out from the front of the tank

Location of steam coils is about 20" off ground level and a spread of about 50-1/2 apart

Place 3" channel under steam coils for bracing to keep at level with tank on 52" centers

There is a 14-1/2" space clear between each run of pipe typical. (Pads for braces are optional)

Pipe is 2" SCH 40, new material, non traciabe (no MTR's)

Welding in accordance with standard practices

Visual inspection, air test to 120 PSI

**Some details not shown in all views. Overall dimensions are normal.*

**Photos are representational; actual products vary. Additional product plans and specifications may vary from those shown and are subject to in-stock availability.*