

21,000 GALLON (500BBL)

Steel Frac Tank (Round Bottom with step)

Mobile Mini Tank + Pump Frac Tank rentals are the perfect solution for temporary water and other liquid storage for industrial applications. The steel construction and heavy-gauge design ensure that your liquids will be securely contained on your site. Our selection of accessories can make this large tank extremely versatile to fit your specific project needs.



Dimensions and Weights

Length: 46' 10 1/4"

Width: 8' 6"

Height: 11' 6 3/8"

Capacity: 21,000 gallons
(500bbl)

Tare Weight: 30,000 lbs

Axle: 77.5" track, 22,5000
lbs capacity

Construction

Floor: 1/4" A36 plate

Walls: 1/4" A36 plate

Roof: 1/4" A36 plate

X-members: 1/4" A36 plate

Floor rails: 12" x 20.7#
Channel

Side Stakes: 3/16" A36 plate
formed

Features

Valves: One 4" Drain (front)
One 4" Drain with
handle (rear)
One 8" P/V valve
(roof)

Manways: One 22" Manway in
top, front and curb

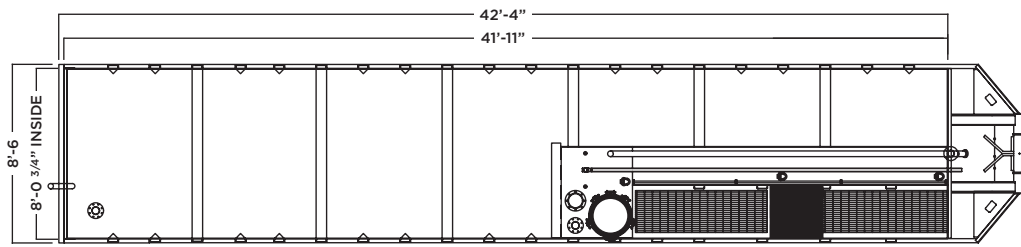
Blind Flange: Two 4" (roof),
One 4" Memi (rear)

Fill Line: One 3" with nipple
and cap (roof/rear)
One 3" external with
nipple and cap (roof)
One 4" pickup line
with butterfly (front)
One 8" pickup line
with blind (front)

Float: One Half travel board
float

**Photos are representational; actual products vary. Additional product plans and specifications may vary from those shown and are subject to in-stock availability.*

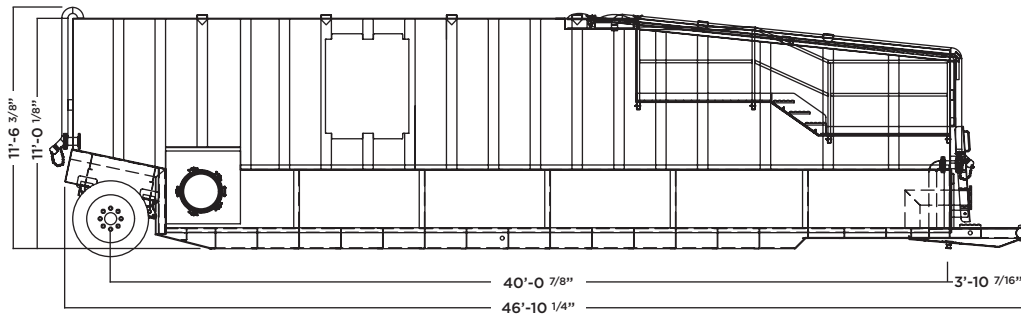
Round Bottom Tank With Step Drawing



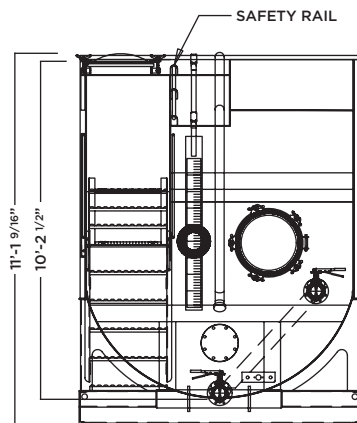
**Some details not shown in all views. Overall dimensions are normal.*

**Photos are representational; actual products vary. Additional product plans and specifications may vary from those shown and are subject to in-stock availability.*

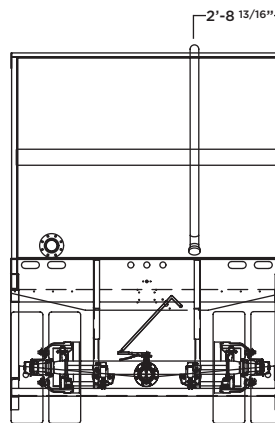
Top View



Side View



Front View



Rear View: