

6" PRIME ASSISTED

Solids Handling Pump

Our 6" solids handling jet pump is designed for high flows to 2,680 gpm and heads to 190 feet. Our quick self-priming pump eliminates the need for a waste hose and the need to fill up the pump housing with water to obtain prime. It also prevents discharge of pumping effluent onto the ground. In addition, our Tier IV diesel engines reduce emissions.



Features

- Deutz TD3.6L4 engine
- High head to 190 feet
- Maximum flows to 2,680 gpm
- Automatic shutdown for low oil pressure and high coolant temperature
- Solids handling to 3"

Specification

- Fuel tank capacity: 114 US Gallons
- Fuel consumption: 4.50 gph @ 2,000 rpm
- Approximate Dry Weight: 3,450 lbs
- Maximum operating speed: 2,000 rpm
- Maximum operating temperature: 200 degrees F
- Maximum working pressure: 82.25 psi
- Impeller: 12" diameter

Engine Specifications

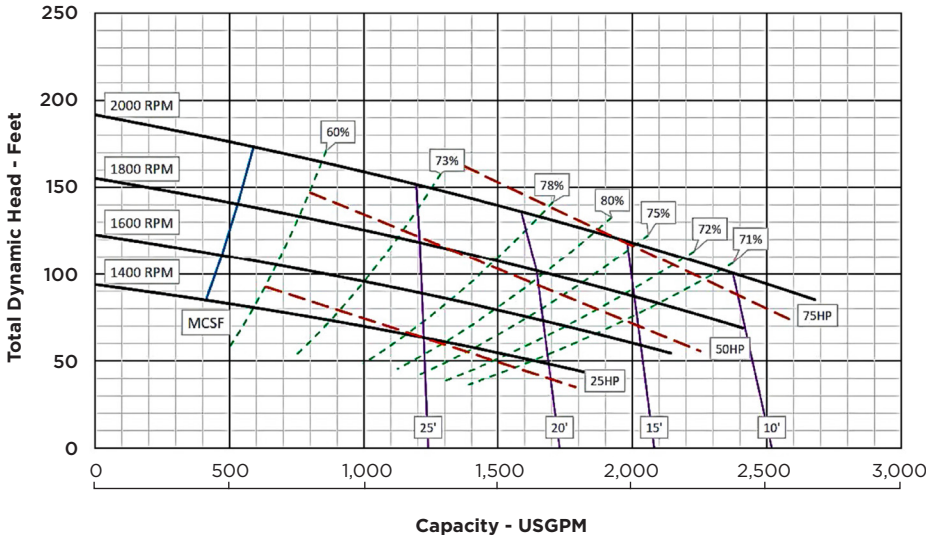
- Engine: Deutz TD3.6L4, 74 hp @ 2,000 rpm
- Type: 4-cylinder, in-line, 4-cycle, water-cooled, direct-injected turbo-charged, Interim Tier IV diesel
- Fuel Economy:**
 - + .371 lb/hp-hr @ 1900 rpm
 - + .367 lb/hp-hr @ 1800 rpm
 - + .359 lb/hp-hr @ 1600 rpm
- Maximum operating time:**
 - + 25 hours @ 2,000 rpm
 - + 32 hours @ 1,800 rpm
 - + 40 hours @ 1,600 rpm

Construction

- Pump casing: Class 30 ductile iron with cast iron wear ring
- Impeller: Dynamically balanced, non-clogging, enclosed, CD4MCu, with rear-equalizing vanes to reduce axial loading and prolong seal and bearing life
- Mechanical Seal: 3" run-dry, oil-lubricated with Tungsten Carbide rotating and Silicon Carbide stationary seal faces. Single inside mounted, non-pusher type with self-adjusting elastomeric bellows. All other components are 304 stainless steel and viton.
- Head: Back pull out design, class 30 ductile iron with tapered bore design
- Bearing and Frame: Cast iron, heavy duty grease lubricated
- Shaft: 17-4 pH stainless steel fitted with renewable 316 stainless steel sleeve

**Photos are representational; actual products vary. Additional product plans and specifications may vary from those shown and are subject to in-stock availability.*

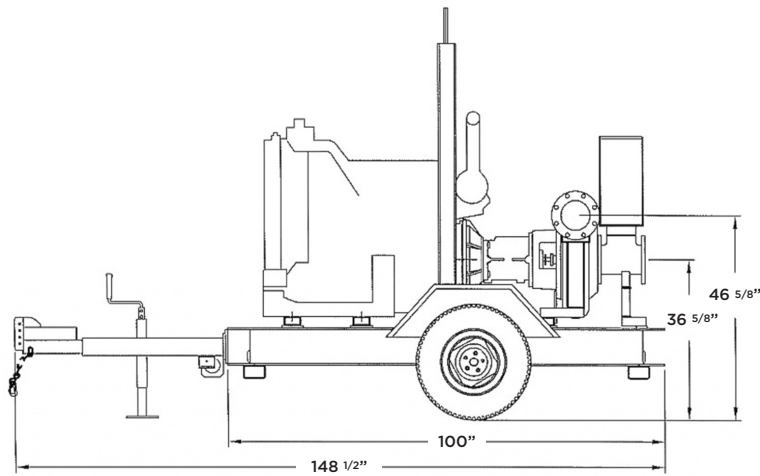
6" Trash Pump Performance Curve



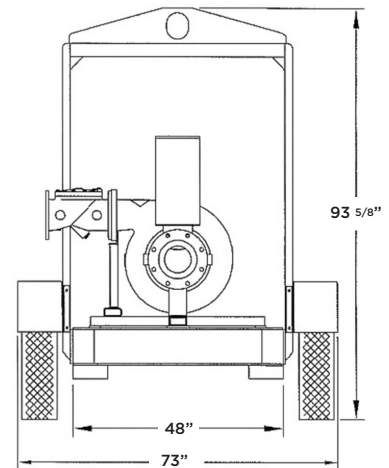
*Some details not shown in all views. Overall dimensions are normal.

*Photos are representational; actual products vary. Additional product plans and specifications may vary from those shown and are subject to in-stock availability.

6" Pump Drawing



Side View



Rear View

*Some details not shown in all views. Overall dimensions are normal.

*Photos are representational; actual products vary. Additional product plans and specifications may vary from those shown and are subject to in-stock availability.